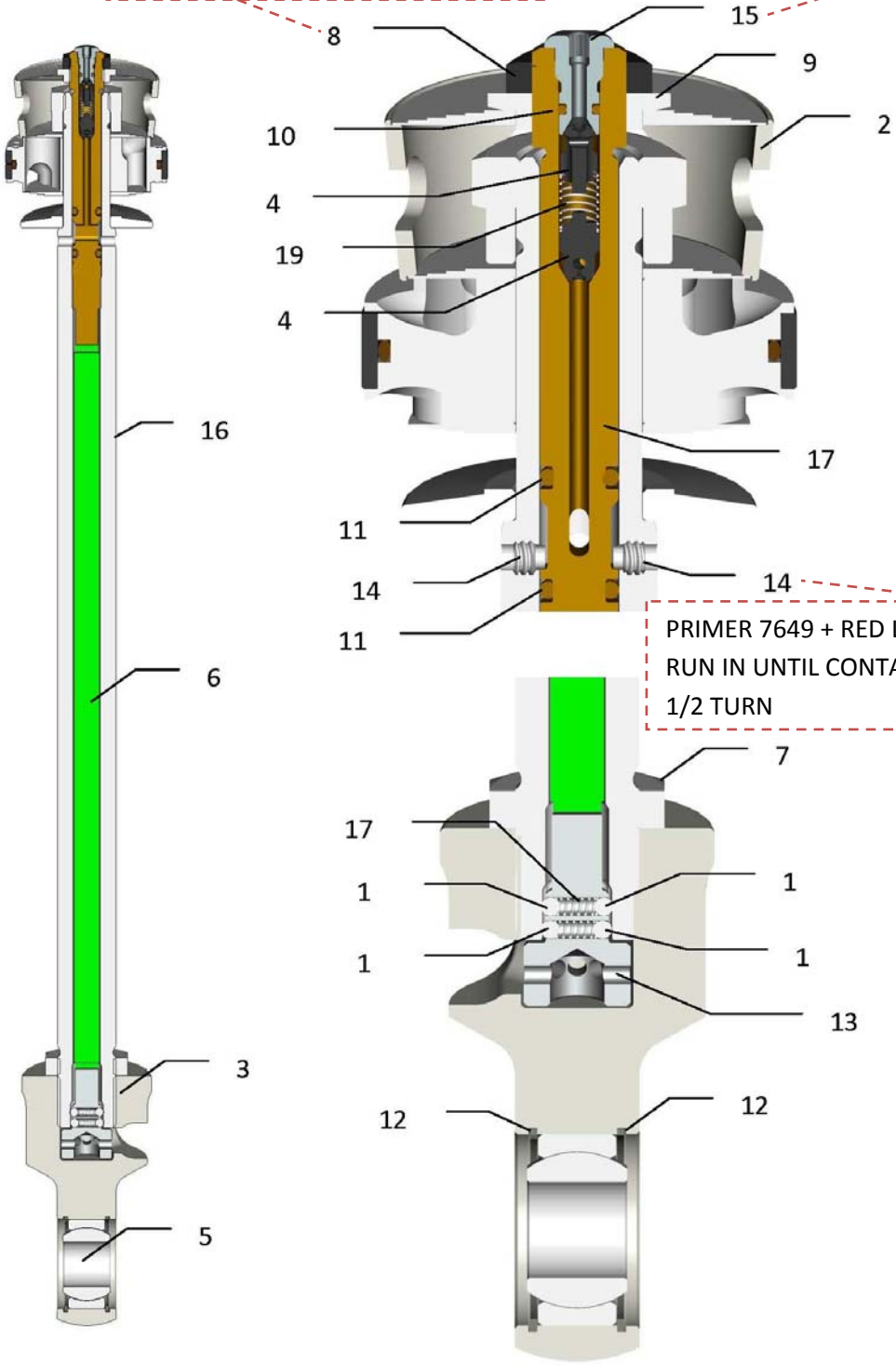


**Parts List:**

PRIMER 7649 + BLUE LOCTITE (243)  
130 in lbs

PRIMER 7649 + BLUE LOCTITE (243)  
<10 in lbs (snug)



**Parts List:**

Key	Part No.	Description	Quantity Per Unit
1	BA-093-ST	Ball, 3/32 Steel	4
2	CA-73HSR-1475	Cage, 7300 High Speed Rebound, 1.475"	1
3	EY-7321HS	Eyelet, 2.1" High Speed Blowoff	1
4	JT-DBCHK-084A	Dual Bleed Check Valve Poppet	2
5	MO-8T	Monoball, .500" ID X 1.00" OD	1
6	MR-RHS___	Metering Rod, RHS Shaft (160, 180, 200, 220, 240)	1
7	NT-04J	Jam Nut, .625 X 18	1
8	NT-76CDJ	Jam Nut, 8760 H/S CD Shaft Top Hat	1
9	NT-76CDT	Nut, 8760 H/S CD Shaft Top Hat	1
10	OR-2.5X1.0-V	O-ring, 2.5mm X 1.0mm Viton, Brown	1
11	OR-2008-B	O-ring, 2-008 Buna 70 Duro	2
12	RR-16	Retaining Ring, 1.025 Spiroloc Stainless	2
13	RS-73HSR	Screw, High Speed Rebound Blow-off	1
14	SC-125	Screw, Socket Set 6/32 X 125	2
15	SC-F1-DBCHK-RET	Screw, F1 Dual Bleed Check Retaining Ring	1
16	SH-___A-RHS	Shaft, Adjustable (8.625", 9.625", 10.500", 11.500", 12.500")	1
17	SH-RHS-INNER	Shaft, RHS Inner Locknut	1
18	SP-13	Spring, (M-6)	2
19	SP-17	Spring, (N-5)	1

**Summary of Numbers:**

1 Click = .002" Cage Preload

Poppet Bleed Available Range: Ø.000 to Ø.060

Number of Clicks per Turn: 12

Heat Capacity: 200°F+

Thread Pitch: 40 (LEFT HAND)

Compression Stack + Piston Thickness +  
Rebound Base Shim Thickness = .880"

Total Clicks = 20-22

Recommended Torque/Loctite Specs:

Jam Nut (NT-76CDJ) 130 in lbs + PRIMER 7649 + BLUE LOCTITE 243

Dual-Bleed Retainer Screw (SC-F1-DBCHK-RET) 10 in lbs + PRIMER 7649 + BLUE LOCTITE 243

Full Soft Set Screws (SC-125) PRIMER 7649 + RED LOCTITE 242

**Technical Support:**

8:30 AM – 5:00 PM (EST)

Penske Racing Shocks – Technical Center  
150 Franklin Street  
Reading, PA 19602  
United States

610.375.6180

[www.penskeshocks.com](http://www.penskeshocks.com)



Rev. 01-2010