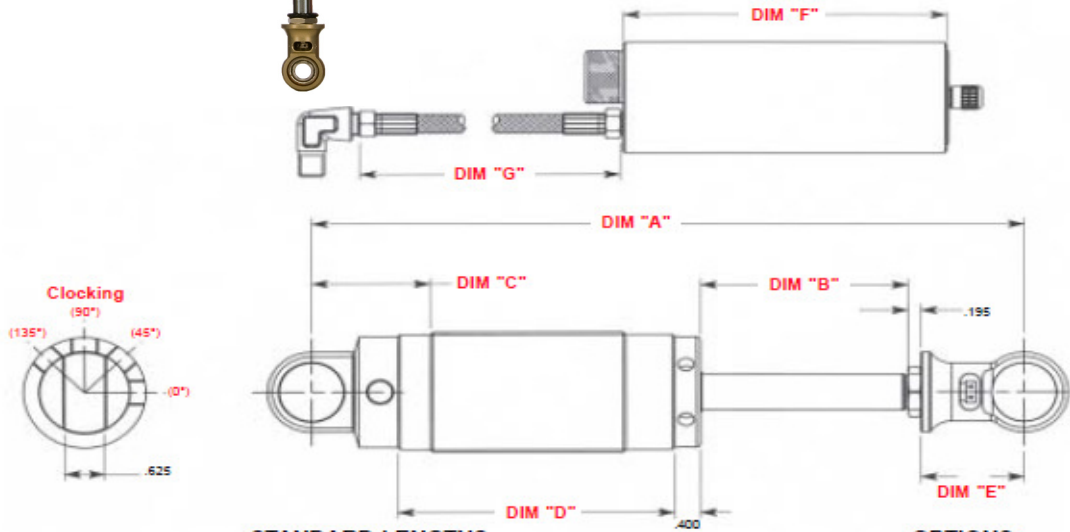


8300 Series Remote

- Sportscar
- Drag Racing
- Short Track
Dirt and Asphalt



STANDARD LENGTHS

DIM "A" Open Length	DIM "B" Stroke	DIM "C" Body Cap Length	DIM "D" Body Length	DIM "E" Eyelet Length	(.400 + .195)
10.0"	2.20"	1.34"	4.275"	1.80"	0.595"
10.5"	2.45"	1.34"	4.525"	1.80"	0.595"
11.0"	2.70"	1.34"	4.775"	1.80"	0.595"
11.5"	2.95"	1.34"	5.025"	1.80"	0.595"
12.0"	3.20"	1.34"	5.275"	1.80"	0.595"
12.5"	3.45"	1.34"	5.525"	1.80"	0.595"
13.0"	3.70"	1.34"	5.775"	1.80"	0.595"
13.5"	3.95"	1.34"	6.025"	1.80"	0.595"
14.0"	4.20"	1.34"	6.275"	1.80"	0.595"
14.5"	4.45"	1.34"	6.525"	1.80"	0.595"
15.0"	4.70"	1.34"	6.775"	1.80"	0.595"
15.5"	4.95"	1.34"	7.025"	1.80"	0.595"
16.0"	5.20"	1.34"	7.275"	1.80"	0.595"
17.5"	5.95"	1.34"	8.025"	1.80"	0.595"
18.0"	6.20"	1.34"	8.275"	1.80"	0.595"
20.0"	7.20"	1.34"	9.400"	1.80"	0.595"
22.0"	8.20"	1.34"	10.400"	1.80"	0.595"
24.0"	9.20"	1.34"	11.400"	1.80"	0.595"

OPTIONS

DIM "C"	Body Cap
1.34"	(STD)
1.59"	(+.250)
1.84"	(+.500)
2.09"	(+.750)
2.34"	(+1.000)
DIM "E"	Eyelet
1.6"	(STD)
2.0"	(+.400)
2.3"	(+.700)
DIM "F"	Reservoir Body
5.5"	or 7.0"
DIM "G"	Hose
4"	Through 36"